

Debtronics

Industrial Automation Control Panels



www.debtronics.co.in

We use the latest up-to-date technology for building our systems.

100% in-house technology designed and developed by our engineers to fulfil your requirements.

We consistently upgrade our systems to the latest available technology.

Customised product solution is our forte.

We also undertake refurbishing jobs to upgrade your existing system.

We undertake new challenges and customised product development and industrial automation.

AUTOMATED CONCRETE BATCHING CONTROL PANEL WITH HMI TOUCH SCREEN & PLC

PLC, HMI, SCADA based Control Panel – Fully Automatic and Manual mode Suitable for Reversible Drum/Pan Mixer with 1 or 2 Conveyor or Slinger Conveyor

Mixing & Discharge: Either Drum forward & reverse, or Pan Gate open/close

Operating Voltage: 415 V AC \pm 10%

Output Capacity: According to machine capacity (18 to 45 cubic meter/hour)

Data Storage/Readout: Pen drive (screen shot/.csv format/batch report) or 80 column dot matrix printers (on-line)

Water & Admixture Feeding: Weighing based

Cement & Fly Ash: Through Screw Conveyor

Salient Features :

- Batching history back – up in memory
- System Pause during any operation for any problem
- Fully protected with appropriate protection devices
- Easiest calibration process and total operation controlled from HMI Screen

Automated Batching Plant Control Panel



Batching Plant Machine



REVERSIBLE MIXING MACHINE CONTROL PANELS

Mixer Type: Reversible Drum Mixer

Number of Bins Supported: 3 or 4

Water and Additive in accurate time-based systems Non – Printing/Printing type Microcontroller-Based Control Panel. The Printing Type Panel can weigh four ingredients in 3 bins (software facility provided in bin 2)

Data Storage & Sharing: Data can be stored in pen drive. Online printing facility of batch data can be done with dot-matrix printer. Data can be sent through SMS and/or mail (Gmail ID required)

Special variant with HMI – PLC & SCADA also available



Printing Reversible Mixer Machine Control Panel



Reversible Mixer Machine



Non Printing Reversible Mixer Machine Control Panel

AUTOMATED BRICKS PROCESS PANEL & MIXING AND MOULDING CONTROL PANEL

- Two separate panels for process and mixing and moulding
- PLC – HMI based Control Panel: fully customised system controlling
- Hydraulic Control, Conveyor, Pressure Control
- Required protections provided for safety of devices
- USB data in pen drive or printing for mixing
- SCADA based system (optional)
- Mail, SMS data report (optional)
- Operates in fully auto mode or manual mode



Automated Bricks Process Control Panel



Bricks Machine

PASSENGER – MATERIAL HOISTING CONTROL PANELS (P.M. HOIST)



Passengers & Materials Hoist Control Panel



Smart passengers & Materials Hoist

- Control Panel with or without PLC – HMI, as per requirement
- VFD suitably programmed according to the motor used
- Uses all safety measures against electrical faults/overloads
- Popular versions for 1/1.5/2 Ton load capacity
- With or without Overload Cut-off System
- Floor Calling, Wireless Remote Based – if required, i.e., as per customer needs
- Smart Hoist System – for remote monitoring of hoist (optional) along with data history
- Rebar System

INDUSTRIAL CRANE WEIGHING SYSTEM CONTROL PANEL

- Indicator based/PLC & HMI based Control Panel
- Data Logging System
- USB/Printer Data Storage (Optional SMS/MAIL) System
- Optional Wireless Weight Indication in Jumbo Display



Crane Scale Weighing



Eot Crane Weighing System Control Panel



EOT Crane

WAREHOUSE HOIST CONTROL PANEL

- Control Panel with Auto/Manual.
- Floor Selection System
- Remote Base Hoist Control System
- With or without Overload Cut-Off System

TOWER HOIST CONTROL PANEL

- Control Panel with Up – Down remote
- Control Panel with Optional Weight Overload cut – off
- Control System for Brake Motor
- Remote provided with 2.5 meter cable
- Protections against electrical overloading and faults



Tower Hoist Control Panel

Tower Hoist

TMT BAR – BENDING AND CUTTING CONTROL PANEL

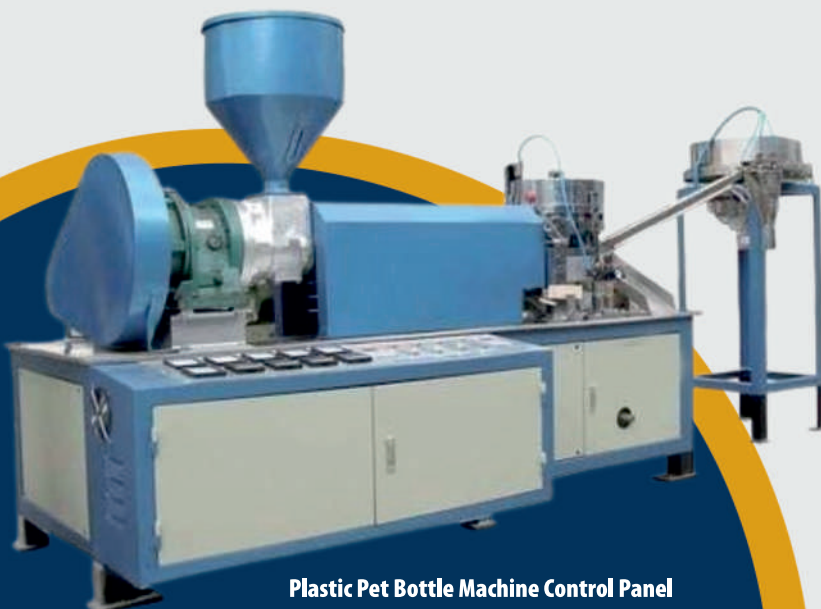
- Durable, fast, and cost-effective machine, used for bending and cutting Reinforcement Bars and various forms of Round Bars
- Our Bar Bending Machines are sternly designed to reduce the role of manpower as well as maintain low cost of production for our clients
- High quality transformer with imported Bridge Rectifier



Bar Bending Machine

PLASTIC PET BOTTLE MACHINE CONTROL PANEL

- Fully Auto/Manual System Control Panel
- PLC/HMI/SCADA based Control Panel
- Hydraulic Control System
- Fully Customised System Controlling
- Pressure Controlling



Plastic Pet Bottle Machine Control Panel



Platform Weighing Machine

WEIGHING MACHINE

- Platform/Tabletop Type Electronic Weighing Scales for domestic and commercial use
- Hanging Crane Weighing System for hot and cold metal weightment
- Silo, Hopper, Process Weighing Systems for industrial use
- Specialised weighing solutions for the industry

INDUSTRIAL MACHINE SAFETY SOLUTION

Risk assessment and category-4 level of Safety implementation

- Safety Light Curtain
- Safety Relay
- Safety Door Switch
- Safety PLC

BAR CODE & CAMERA VISION SOLUTION

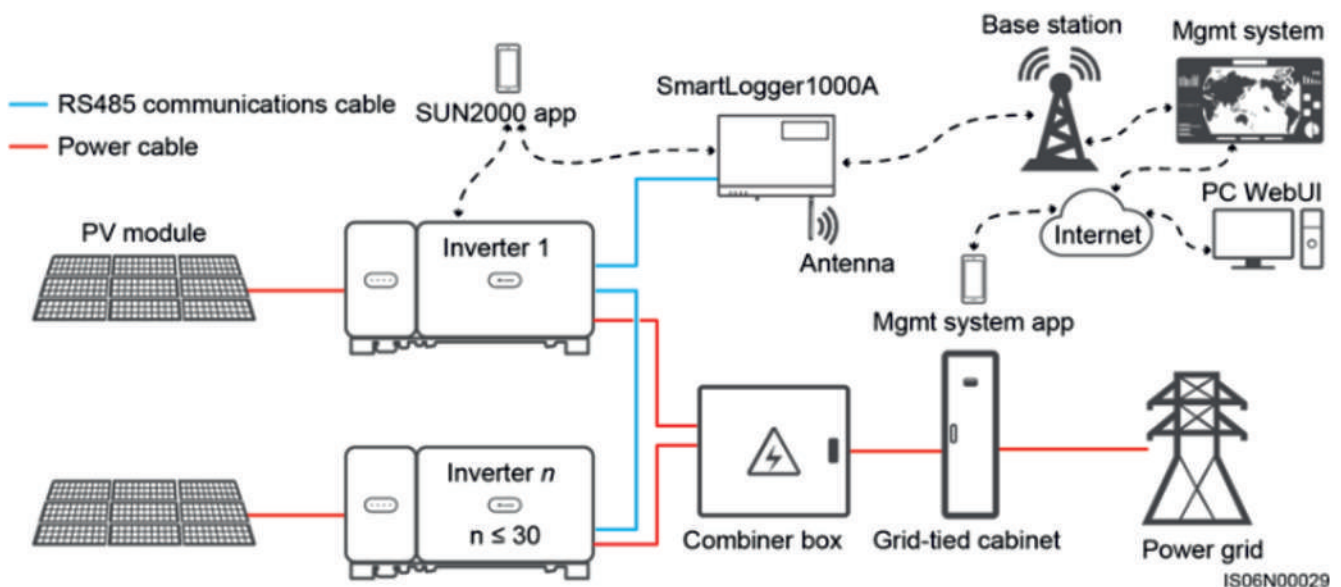
- 1D – Barcode Reader
- 2D – Barcode Reader
- Smart Camera
- Machine Vision
- Traceability Solutions

OTHER AUTOMATIONS

- Sensors & Temperature Control
- Measurement Laser & 2D High Precision: Diameter, Thickness, Width
- Retrofitting at Old Systems
- Sensors – Photoelectric, Fibre Optic Proximity

SOLAR PHOTOVOLTAIC PRODUCTS

- Solar Charge Controller for different Voltage Ranges (12V DC to 120V DC) & Current Ranges (06 Amps to 100 Amps)
- Solar Battery Chargers
- Solar Street Lights
- AJB, ACDB, DCDB for Solar Power Plant
- Solar Smart Management Unit
- Solar Pump Controller



25 GLORIOUS YEARS OF SERVICE TO THE NATION AND GOING AHEAD STRONGLY

Established in 1997, Debtronics in a short span has taken giant strides and carved a unique niche for itself as a leader in the world of Automation Control Panels. An ISO 9001-2015 Organisation. We have been designing very high precision weighing scale. We have been building high feature based control panels & equipments in Construction machinery segment.

We believe in Quality First Policy. The Solution should be designed and supplied in such a way that it should create added value to the customer. Our relationship with the customer is of top most priority. Customer is key decision maker and their happiness and satisfaction is our top most priority.

Our goal is to deliver solutions that should be highly acceptable. Zero defects are our focus. Highly tested solutions are delivered to create quality and enhance productivity. We have been creating solutions consisting of PLC, HMI, and SCADA. IIOT is an added feature in several solutions.



C/15, Ramgarh, Ganguly Bagan, Kolkata-700047

info@debtronics.co.in/sales@debtronics.co.in/purchase@debtronics.co.in

033 24291704/94333 57056/99037 74927/90739 91955